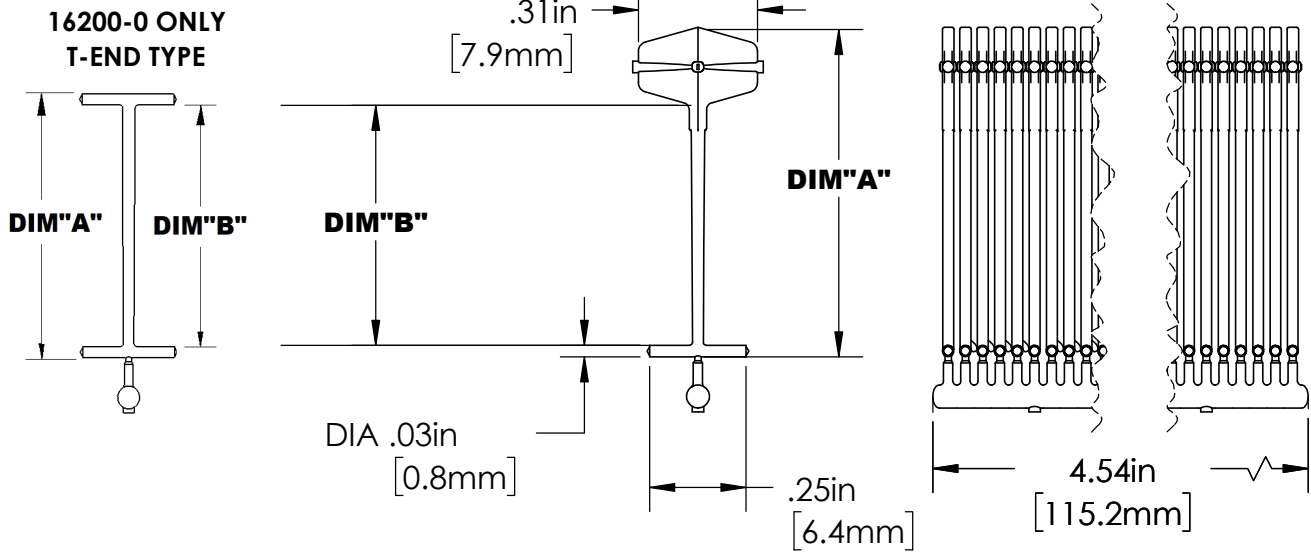


# EVERY DENNISON MARKETING SPECIFICATION

© 2022 EVERY DENNISON CORPORATION. ALL RIGHTS RESERVED


## HISTORY

REV.	DATE	DESCRIPTION
B	5-18-22	Added 16200 & 16203-16205



SKU NO	REV	DESCRIPTION	COLOR	DIM "A"	DIM "B"	LENGTH TOLERANCE	WEIGHT
16200-0	A	1/4" [7mm] FF Ecotach™ rPP	NAT*	.31 [7.8mm]	.25 [7mm]	+/--.060 +/-[1.5mm]	.010 grams each
16201-0	A	1/2" [13mm] FF Ecotach™ rPP	NAT*	.75 [19mm]	.50 [13mm]	+/--.060 +/-[1.5mm]	.010 grams each
16202-0	A	11/16" [17mm] FF Ecotach™ rPP	NAT*	.91 [23mm]	.67 [17mm]	+/--.060 +/-[1.5mm]	.010 grams each
16203-0	A	1" [25mm] FF Ecotach™ rPP	NAT*	1.25 [32mm]	1.00 [25mm]	+/--.060 +/-[1.5mm]	.010 grams each
16204-0	A	2" [50mm] FF Ecotach™ rPP	NAT*	2.25 [57mm]	2.00 [50mm]	+/--.120 +/-[3mm]	.010 grams each
16205-0	A	2-3/4" [70mm] FF Ecotach™ rPP	NAT*	3.00 [76mm]	2.75 [70mm]	+/--.120 +/-[3mm]	.010 grams each

<b>NOMINAL TENSILE STRENGTH</b>	3.5 - 4.5 LBSF / 1.5 - 2.0 KGF
<b>WEIGHT</b>	SEE TABLE
<b>CLIP QUANTITY</b>	100 Fasteners per clip
<b>APPLICATION TOOLS</b>	10312 - Mark III Fine Fabric Pistol-Grip SPU2M02 - Mark II Industrial Fine Fabric - Long Needle SPU2M04 - Mark II Industrial Fine Fabric - Short Needle
<b>PACKAGING</b>	10,000 per carton / 100,000 per case

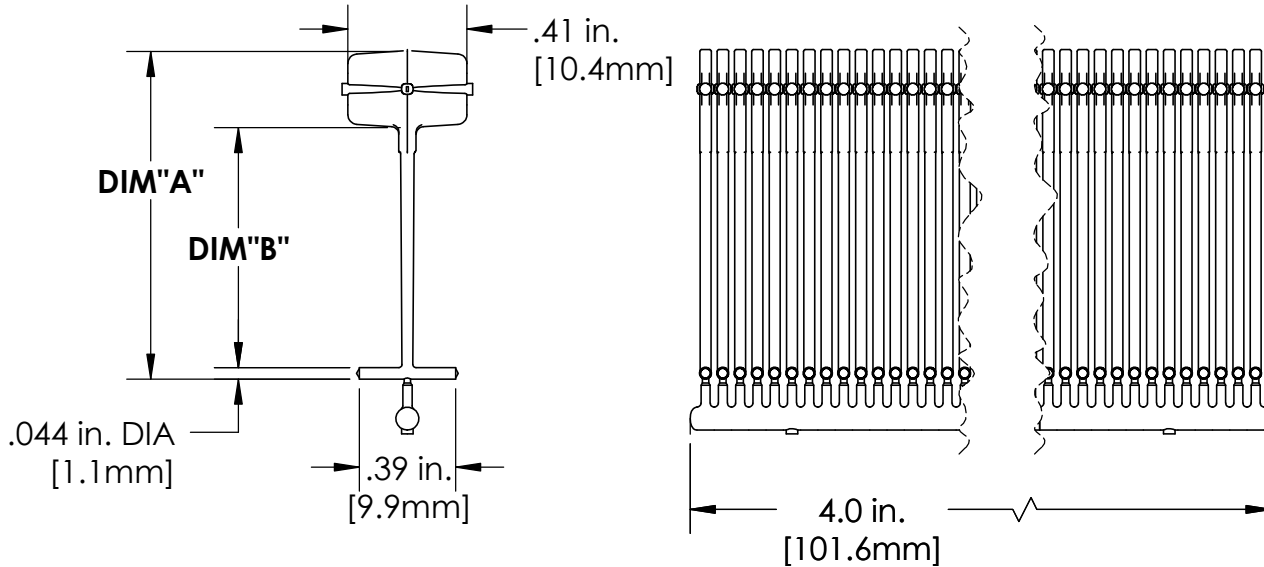
<b>APPROVALS:</b>	ENG. APPR. <i>Bill Cooper</i> 5-18-22		FASTENER DIVISION FITCHBURG, MA 01420 U.S.A. TEL. 1-800-225-5913 FAX. 978-353-8157
	Q.A. APPR. <i>Rick Estano</i> 5-18-22		
<b>SPECIFIED TOLERANCES ARE:</b>		<b>MATERIAL</b> 30% rPP 70% Polypropylene	<b>DESCRIPTION</b> Ecotach™ rPP Fine Fabric Clip Fastener
.XX ± .03 INCHES      .X ± .7 mm		<b>COLOR</b> See Note	<b>STOCK NO.</b> See Table
.XXX ± .010 INCHES      .XX ± .25 mm			<b>REV.</b> <b>B</b>
ANGULAR: ± 2°			

# AVERY DENNISON MARKETING SPECIFICATION

© 2022 AVERY DENNISON CORPORATION. ALL RIGHTS RESERVED

## HISTORY

REV.	DATE	DESCRIPTION
B	5-18-22	Added 16301-0



SKU NO	REV	DESCRIPTION	COLOR	DIM "A"	DIM "B"	WEIGHT
16300-0	A	1" [25mm] STD Ecotach™ rPP	NAT*	1.25 [31.8mm]	1.00 [25mm]	.048 grams each
16301-0	A	1-9/16" [40mm] STD Ecotach™ rPP	NAT*	1.82 [46.2mm]	1.57 [40mm]	.056 grams each
16302-0	A	2" [50mm] STD Ecotach™ rPP	NAT*	2.25 [57.2mm]	2.00 [50mm]	.056 grams each
16303-0	A	2-9/16" [65mm] STD Ecotach™ rPP	NAT*	2.82 [71.6mm]	2.57 [65mm]	.056 grams each

<b>NOMINAL TENSILE STRENGTH</b>	4.5 - 5.5 LBSF / 2.0 - 2.5 KGF
<b>WEIGHT</b>	SEE TABLE
<b>CLIP QUANTITY</b>	50 Fasteners per clip
<b>APPLICATION TOOLS</b>	10651 - Mark III Pistol-Grip 08945 - Mark III Scissor Grip 10636 - Mark III Long Needle Pistol 16000 - Soft Grip SPU1M01 - Mark II Industrial - Long Needle SPU1M03 - Mark II Industrial - Short Needle
<b>PACKAGING</b>	5,000 per carton / 50,000 per case

**APPROVALS:** ENG. APPR. *Bill Cooper 5/18/22*  
Q.A. APPR. *Rick Estano 5/18/22*



FASTENER DIVISION  
FITCHBURG, MA 01420 U.S.A.  
TEL. 1-800-225-5913  
FAX. 978-353-8157

<b>SPECIFIED TOLERANCES ARE:</b>		<b>MATERIAL</b> 30% rPP 70% Polypropylene	<b>DESCRIPTION</b> Ecotach™ rPP Standard Clip Fastener	
.XX ± .03 INCHES	.X ± .7 mm	<b>COLOR</b>	<b>STOCK NO.</b> See Table	<b>REV.</b> B
.XXX ± .010 INCHES	.XX ± .25 mm	See Note		
ANGULAR: ± 2°				